

# RT-21

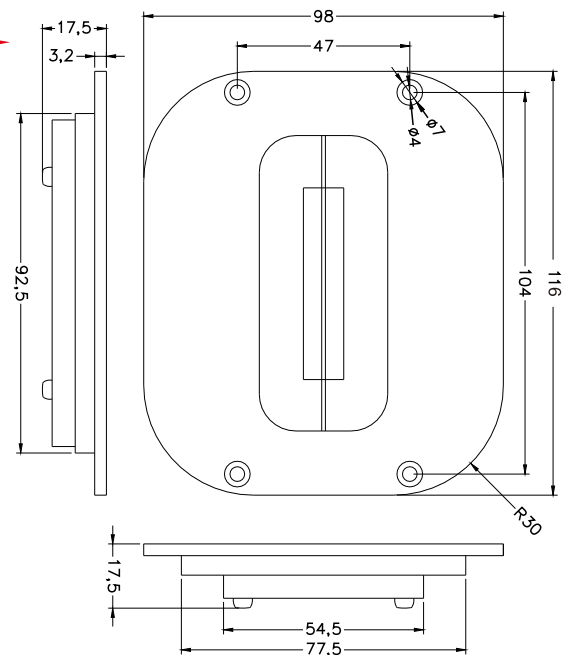
## FEATURE

- ▶ Neodymium magnet system
- ▶ High temperature heat resistant
- ▶ Clear & nature high frequency
- ▶ Line source theory
- ▶ Replacement faceplate or horn
- ▶ Low distortion factor
- ▶ Design for Hi-Fi system



## SPECIFICATION

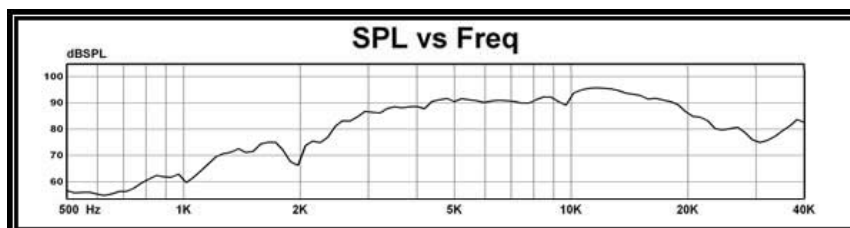
Model:	RT-21
Ribbon material:	Kapton+Aluminum
Impedance:	4 Ω
Sensitivity:	90db±3db
Frequency range:	3Khz~20Khz
Power handling:	15Watt(OCT)
Max power:	30Watt(OCT)
Net Weight:	260g
Out dimension:	116*98*12mm
Recommend crossover:	3.2Khz/2nd order



## SPL VS FREQ

Lms4.5

Input:1w  
Mic:1m  
500Hz-40KHz  
On axis



Revision:2.1.10