

RT-12

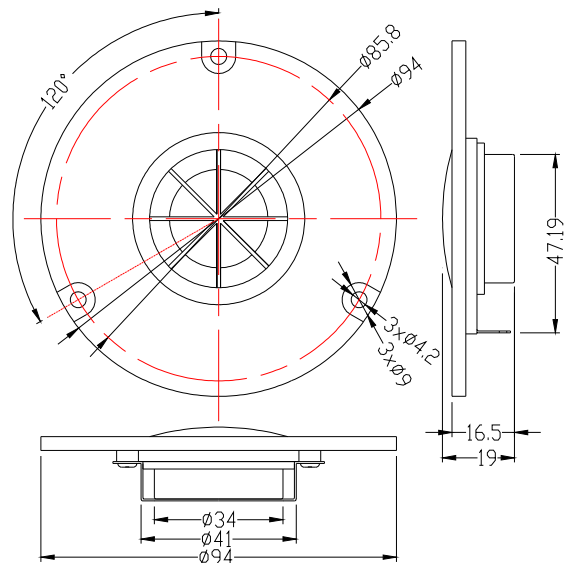
FEATURE

- ▶ Neodymium magnet system
- ▶ High temperature heat resistant
- ▶ Clear & nature high frequency
- ▶ Point source theory
- ▶ Replacement faceplate or horn
- ▶ Low distortion factor
- ▶ Design for Hi-Fi, multimedia system



SPECIFICATION

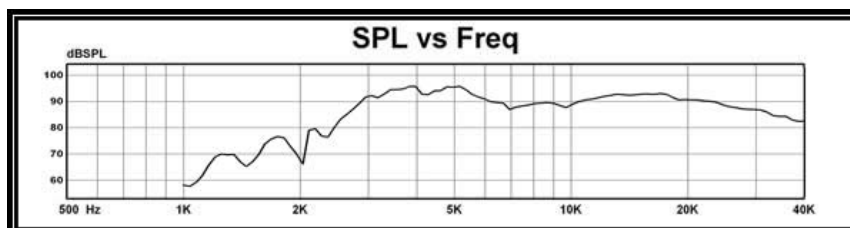
Model:	RT-12
Ribbon material:	Kapton+Aluminum
Impedance:	4 Ω
Sensitivity:	90db±3db
Frequency range:	2.8Khz~30Khz
Power handling:	12Watt(OCT)
Max power:	25Watt(OCT)
Net Weight:	100g
Out dimension:	Ø94*19mm
Recommend crossover:	3Khz/2nd order



SPL VS FREQ

Lms4.5

Input:1w
Mic:1m
500Hz-40KHz
On axis



Revision:2.1.10