

# PY-6S

AKIP LAB RIBBON SPEAKERS

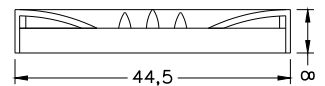
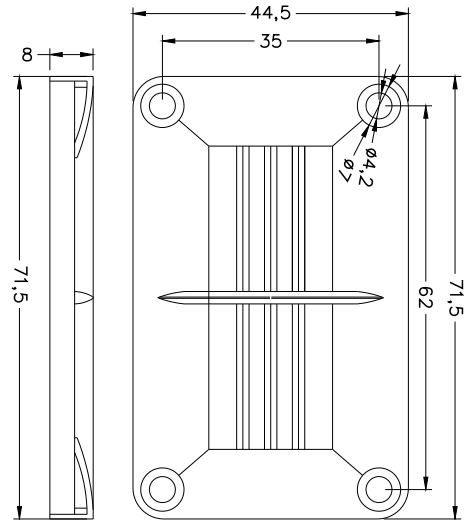
## FEATURE

- ▶ Neodymium magnet system
- ▶ High temperature heat resistant
- ▶ Clear & nature high frequency
- ▶ Line source theory
- ▶ Replacement faceplate or horn
- ▶ Low distortion factor
- ▶ Design for Hi-Fi, multimedia system



## SPECIFICATION

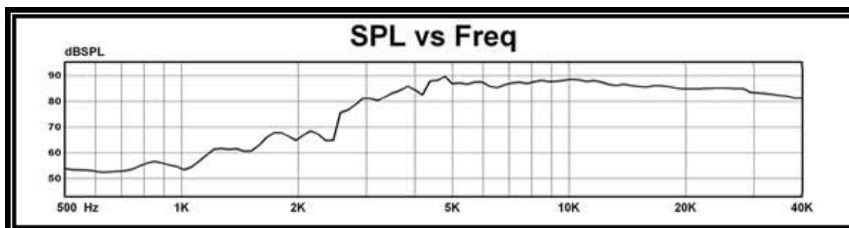
Model:	PY-6S
Ribbon material:	Kapton+Aluminum
Impedance:	4 Ω
Sensitivity:	88db±3db
Frequency range:	3.8Khz~30Khz
Power handling:	10Watt(OCT)
Max power:	20Watt(OCT)
Net Weight:	66g
Out dimension:	71.5*44.5*8mm
Recommend crossover:	4Khz/2nd order



## SPL VS FREQ

Lms4.5

Input:1w  
Mic:1m  
500Hz-40KHz  
On axis



Revision:2.1.10