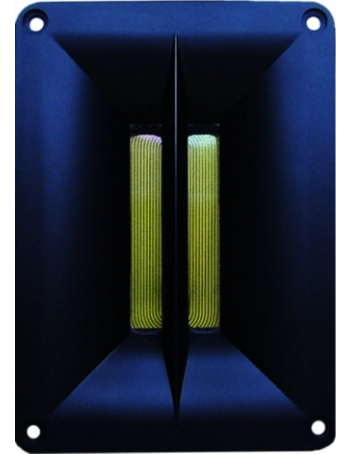


PAP-110

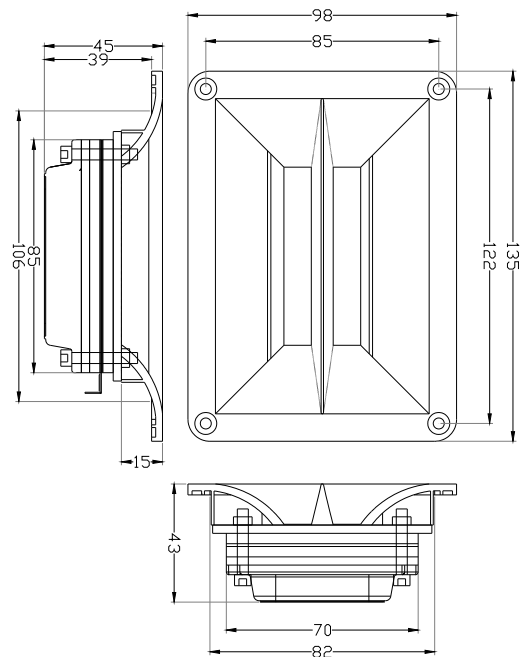
FEATURE

- ▶ Neodymium magnet system
- ▶ High temperature heat resistant
- ▶ Clear & nature high frequency
- ▶ Line source theory
- ▶ Replacement faceplate or horn
- ▶ Low distortion factor
- ▶ Design for PA, STAGE system



SPECIFICATION

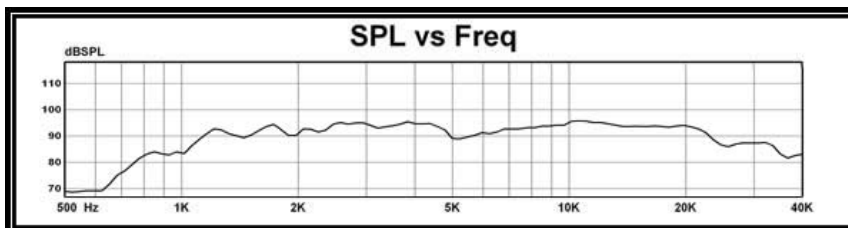
Model:	PAP-110
Ribbon material:	Kapton+Aluminum
Impedance:	8 Ω
Sensitivity:	93db±3db
Frequency range:	1.2Khz~23Khz
Power handling:	15Watt(OCT)
Max power:	30Watt(OCT)
Net Weight:	446g
Out dimension:	135*98* 45mm
Recommend crossover:	1.6Khz/2nd order



SPL VS FREQ

Lms4.5

Input:1w
Mic:1m
500Hz-40KHz
On axis



Revision:2.1.10