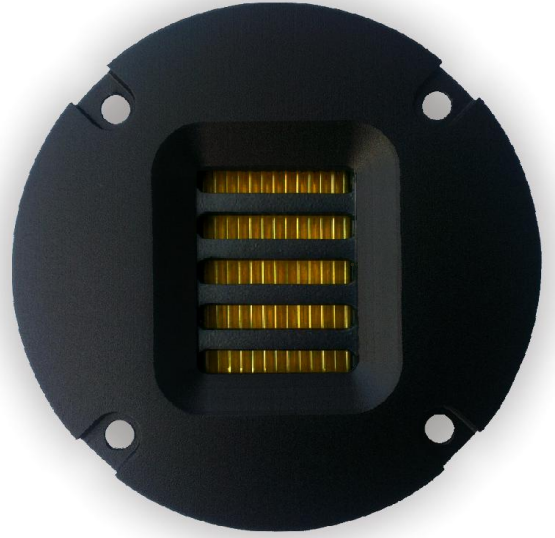


JET-06

AKIP LAB RIBBON SPEAKERS

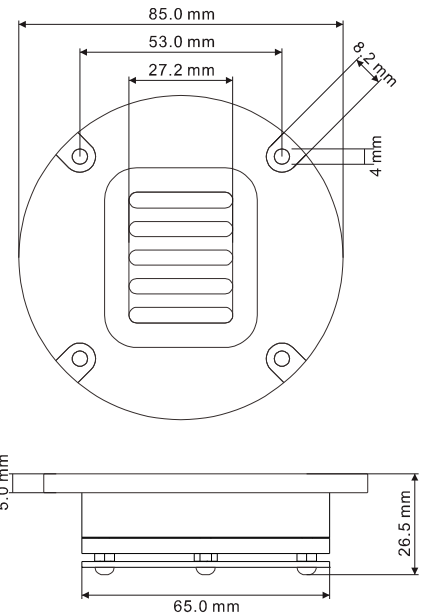
FEATURE

- ▶ Neodymium magnet system
- ▶ High temperature heat resistant
- ▶ Clear & nature high frequency
- ▶ Air motion diaphragm
- ▶ Replacement faceplate or horn
- ▶ Low distortion factor
- ▶ Design for Hi-End system



SPECIFICATION

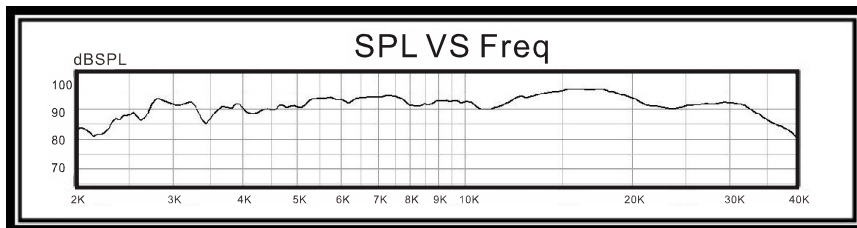
Model:	JET-06
Ribbon material:	Kapton+Aluminum
Impedance:	4 Ω / 8Ω
Sensitivity:	92db±3db
Frequency range:	2Khz~32Khz
Power handling:	20Watt(OCT)
Max power:	40Watt(OCT)
Net Weight:	380g
Out dimension:	142*85*26mm
Recommend crossover:	2.5Khz/2nd order



SPL VS FREQ

Lms4.5

Input:1w
Mic:1m
2kHz-40KHz
On axis



Revision:2.1.10