

CX-18

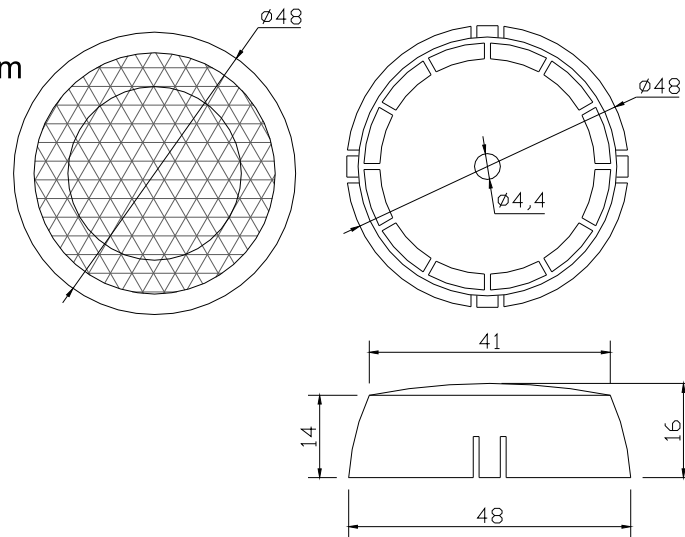
FEATURE

- ▶ Neodymium magnet system
- ▶ High temperature heat resistant
- ▶ Clear & nature high frequency
- ▶ Point source theory
- ▶ Plastic around
- ▶ Low distortion factor
- ▶ Design for car, multimedia



SPECIFICATION

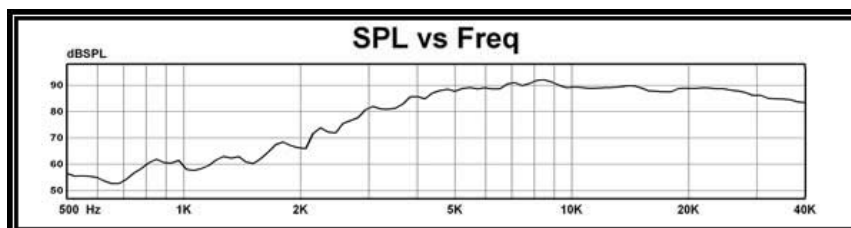
Model:	CX-18
Ribbon material:	Kapton+Aluminum
Impedance:	4 Ω
Sensitivity:	90db±3db
Frequency range:	3.8Khz~28Khz
Power handling:	13Watt(OCT)
Max power:	26Watt(OCT)
Net Weight:	55g
Out dimension:	Ø48*16mm
Recommend crossover:	4Khz/2nd order



SPL VS FREQ

Lms4.5

Input:1w
Mic:1m
500Hz-40KHz
On axis



Revision:2.1.10